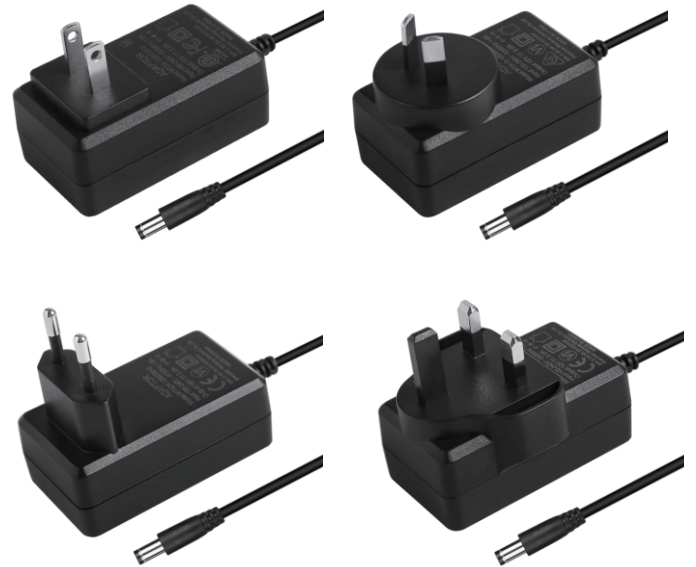


### FEATURES:

- Input: AC 100-240V~ 50/60Hz
- Available plug: US, EU, AU, UK, KR plug
- Power: 24W series
- Ovp, ocp, scp and Over load protection
- Ripple < 120mV
- Efficiency level: VI
- Dimension: 70\*40\*28mm(exclude plug)
- Application: Consumer electronics, Telecom and office equipment



### SAFETY:

SAFETY:	
Safety Standard	UL 62368, IEC 62368, EN 61558, IEC60601, IEC60335
Safety Approval	UL/cUL, CE, FCC, UKCA, PSE, CB, SAA, KC, TUV
EMC Standard	EMC EMISSION: EN55032 class B (CISPR32), EN61000-3-2,-3, EAC TP TC 020 EMC IMMUNITY: EN61000-4-2,3,4,5,6,8,11, EN55024; light industry level, criteria A, EAC TP TC 020
MTBF	50K hrs min. MIL-HDBK-217F (25°C)

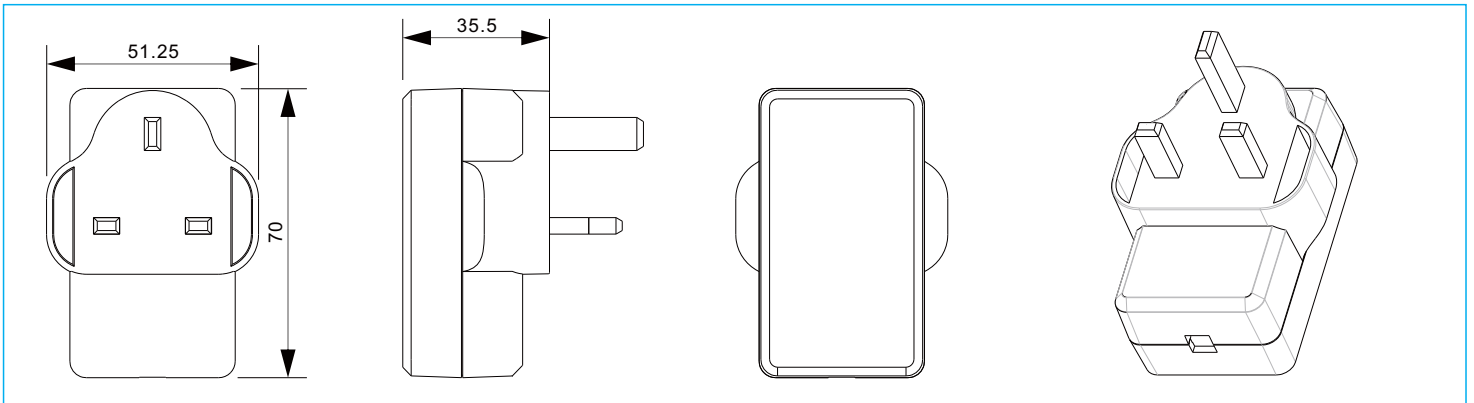
### MODEL LIST:

#### 24W WALL MOUNTED SERIES

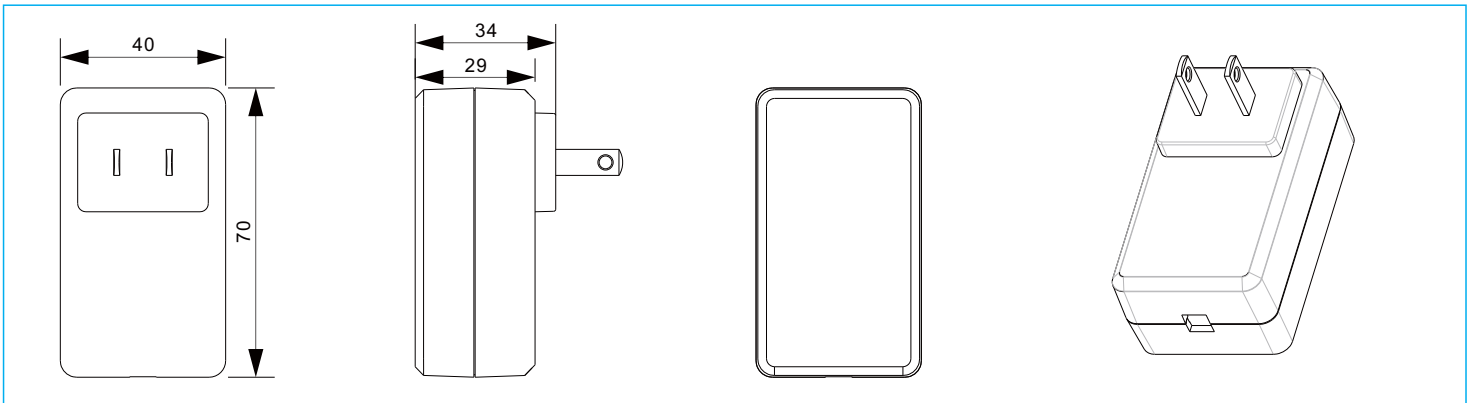
MODEL	INPUT VOLTAGE	POWER	OUTPUT VOLTAGE	OUTPUT CURRENT	PLUG TYPE
SW-01050400-S02z	100-240VAC	20W	5V	4.0A	US,EU,AU,UK
SW-01090250-S02z	100-240VAC	12.5W	9V	2.5A	US,EU,AU,UK
SW-01120200-S02z	100-240VAC	24W	12V	2.0A	US,EU,AU,UK
SW-01150240-S02z	100-240VAC	24W	15V	1.6A	US,EU,AU,UK
SW-01240100-S02z	100-240VAC	24W	24V	1.0A	US,EU,AU,UK
SW-01480050-S02z	100-240VAC	24W	48V	0.5A	US,EU,AU,UK

## Mechanical Diagram

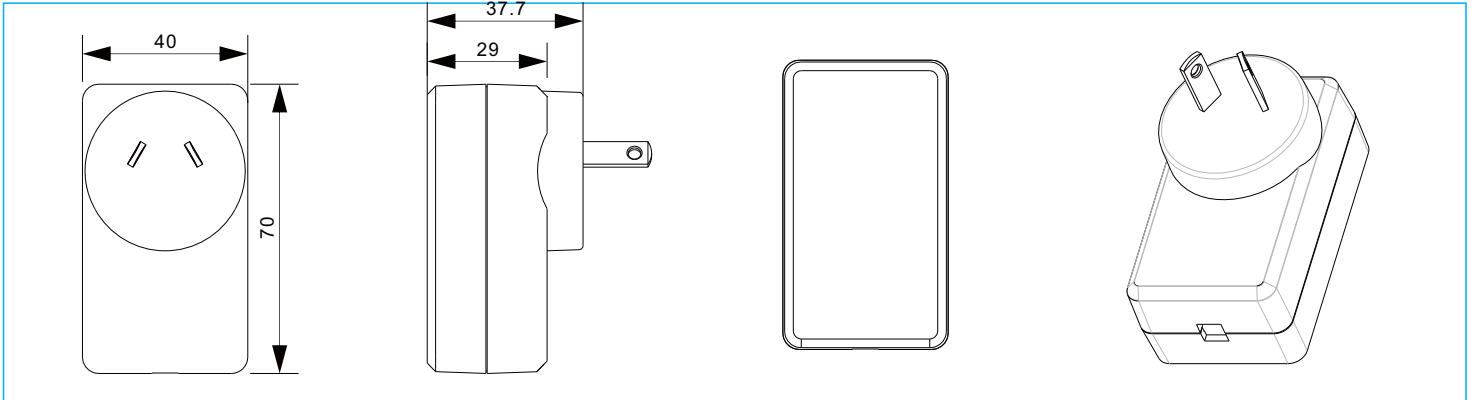
### UK PLUG



### US PLUG



### AUS PLUG



### EU PLUG

