

### FEATURES:

- Input: AC 100-240V~ 50/60Hz
- Interchangeable plugs: US, EU, AU, UK, KR plug
- Power: 48W series
- Ovp, ocp, scp and Over load protection
- Ripple < 120mV
- Efficiency level: VI
- Dimension: 93.5\*46.5\*41.3mm(exclude plug)
- Output can be cable attached or USB A port



### SAFETY:

SAFETY:	
Safety Standard	UL 62368, IEC 62368, EN 61558, IEC60601, IEC60335
Safety Approval	UL/cUL, CE, FCC, UKCA, PSE, CB, SAA, KC, TUV
EMC Standard	EMC EMISSION: EN55032 class B (CISPR32), EN61000-3-2,-3, EAC TP TC 020 EMC IMMUNITY: EN61000-4-2,3,4,5,6,8,11, EN55024; light industry level, criteria A, EAC TP TC 020
MTBF	50K hrs min. MIL-HDBK-217F (25°C)

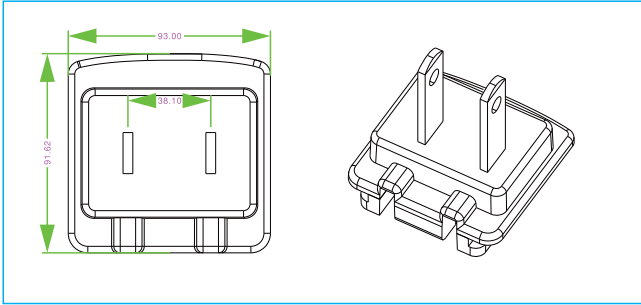
### MODEL LIST:

#### 48W UNIVERSAL SERIES

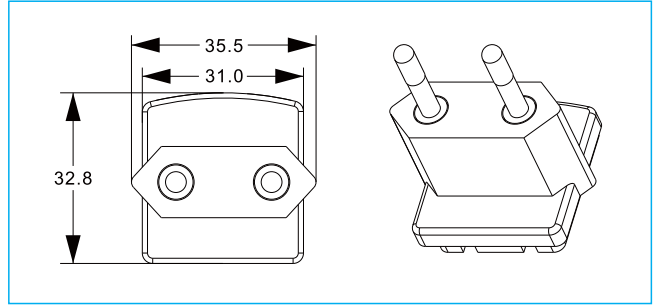
MODEL	INPUT VOLTAGE	POWER	OUTPUT VOLTAGE	OUTPUT CURRENT	PLUG TYPE
SK03G-0500600Z	100-240VAC	30W	5V	6.0A	US,EU,AU,UK
SK03G-0900500Z	100-240VAC	45W	9V	5.0A	US,EU,AU,UK
SK03G-1200400Z	100-240VAC	48W	12V	4.0A	US,EU,AU,UK
SK03G-1500300Z	100-240VAC	45W	15V	3.0A	US,EU,AU,UK
SK03G-2400200Z	100-240VAC	48W	24V	2.0A	US,EU,AU,UK
SK03G-3600130Z	100-240VAC	48W	36V	1.3A	US,EU,AU,UK
SK03G-4800100Z	100-240VAC	48W	48V	1.0A	US,EU,AU,UK

## Mechanical Diagram

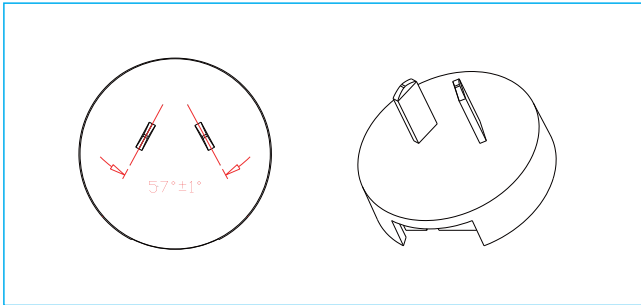
### US/CN PLUG



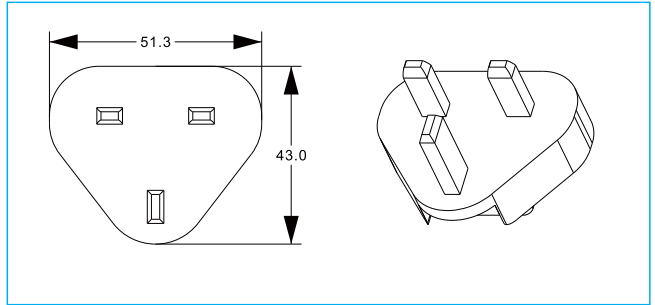
### EU PLUG



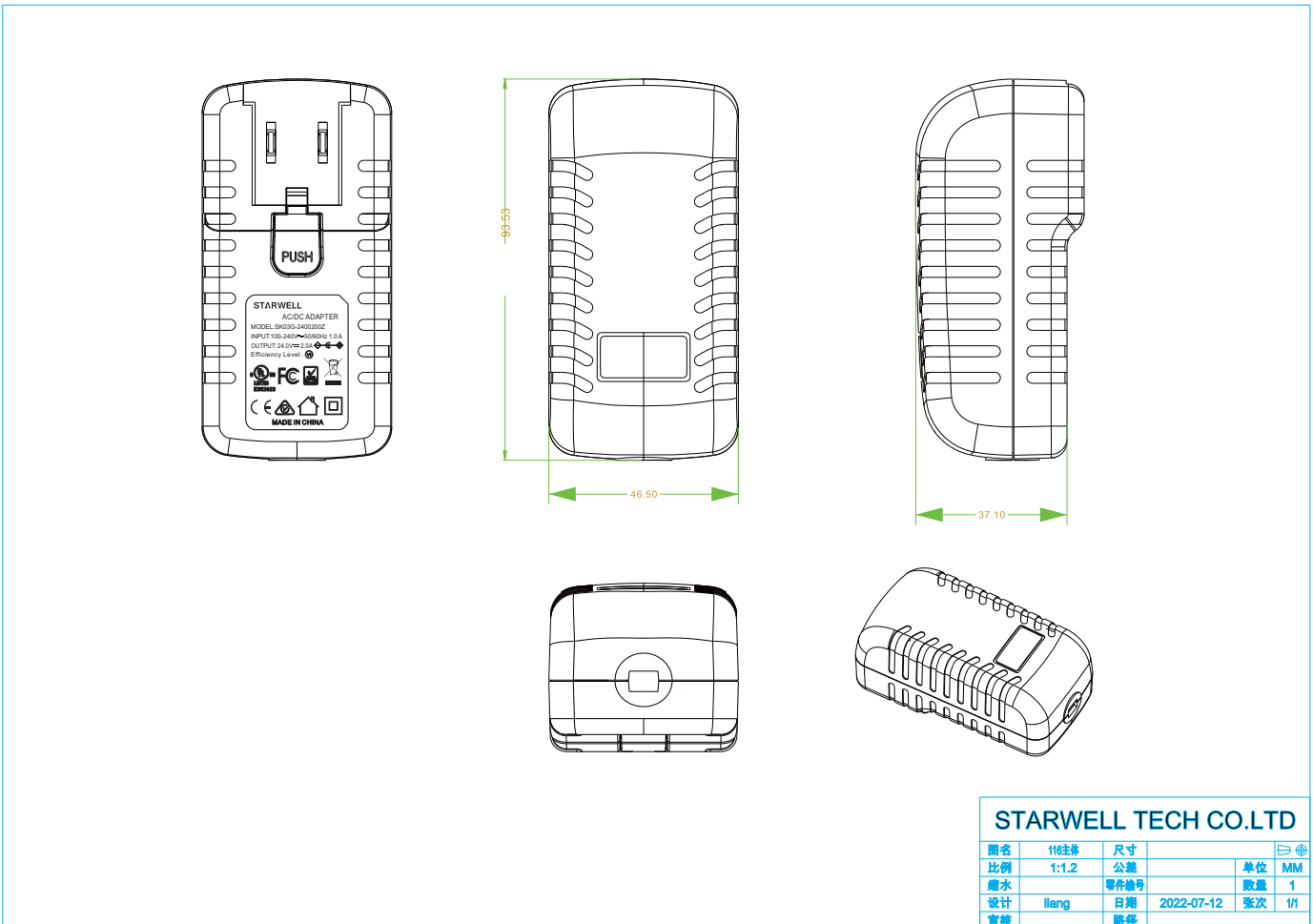
### AUS PLUG



### UK PLUG



## Adapter Mechanical:



STARWELL TECH CO.LTD

图名	118注体	尺寸	公差	单位	MM
比例	1:1.2	零件编号	数量	1	
设计	liang	日期	2022-07-12	张次	1/1
审核		路径			