

FEATURES:

- Input: AC 100-240V~ 50/60Hz
- Interchangeable plugs: US, EU, AU, UK, KR plug
- Power: 24W series
- Ovp, ocp, scp and Over load protection
- Ripple < 120mV
- Efficiency level: VI
- Dimension: 75.2*40.8*38.5mm(exclude plug)
- Application: Consumer electronics, Telecom and office&industrial equipment



SAFETY:

SAFETY:	
Safety Standard	UL 62368, IEC 62368, EN 61558, IEC60601, IEC60335
Safety Approval	UL/cUL, CE, FCC, UKCA, PSE, CB, SAA, KC, TUV
EMC Standard	EMC EMISSION: EN55032 class B (CISPR32), EN61000-3-2,-3, EAC TP TC 020 EMC IMMUNITY: EN61000-4-2,3,4,5,6,8,11, EN55024; light industry level, criteria A, EAC TP TC 020
MTBF	50K hrs min. MIL-HDBK-217F (25°C)

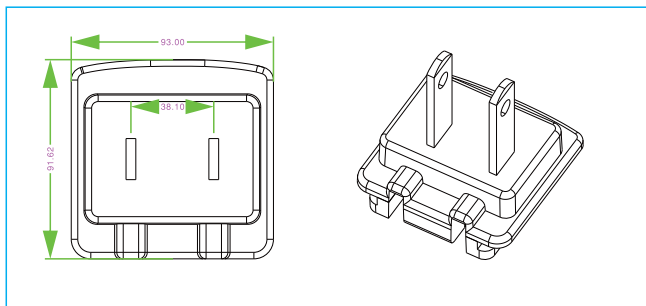
MODEL LIST:

24W UNIVERSAL SERIES

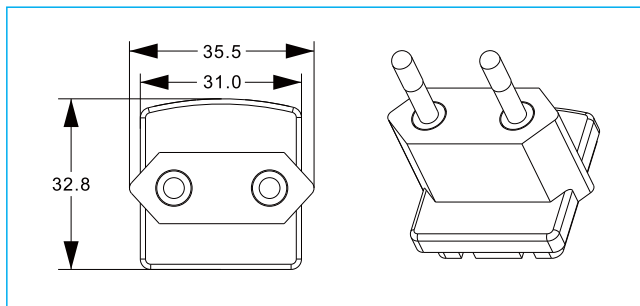
MODEL	INPUT VOLTAGE	POWER	OUTPUT VOLTAGE	OUTPUT CURRENT	PLUG TYPE
SK02G-050400Z	100-240VAC	20W	5V	4.0A	US,EU,AU,UK
SK02G-090300Z	100-240VAC	27W	9V	3.0A	US,EU,AU,UK
SK02G-120200Z	100-240VAC	24W	12V	2.0A	US,EU,AU,UK
SK02G-150240Z	100-240VAC	24W	15V	2.4A	US,EU,AU,UK
SK02G-180133Z	100-240VAC	24W	18V	1.33A	US,EU,AU,UK
SK02G-240100Z	100-240VAC	24W	24V	1.0A	US,EU,AU,UK
SK02G-480050Z	100-240VAC	24W	48V	0.5A	US,EU,AU,UK

Mechanical Diagram

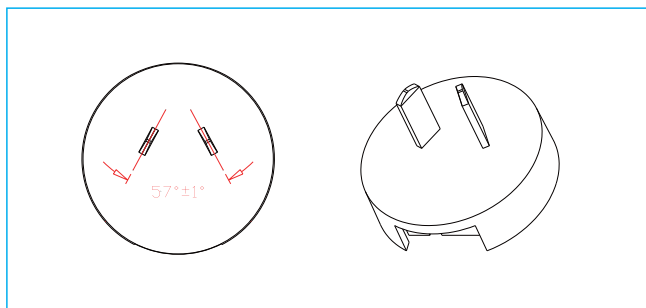
US/CN PLUG



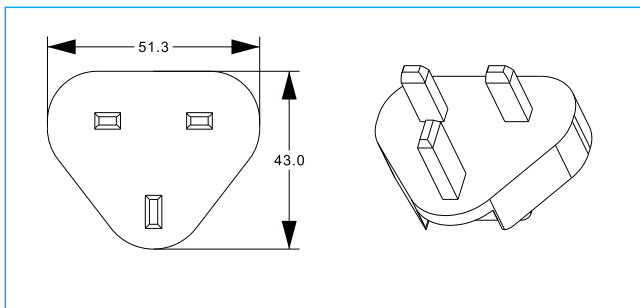
EU PLUG



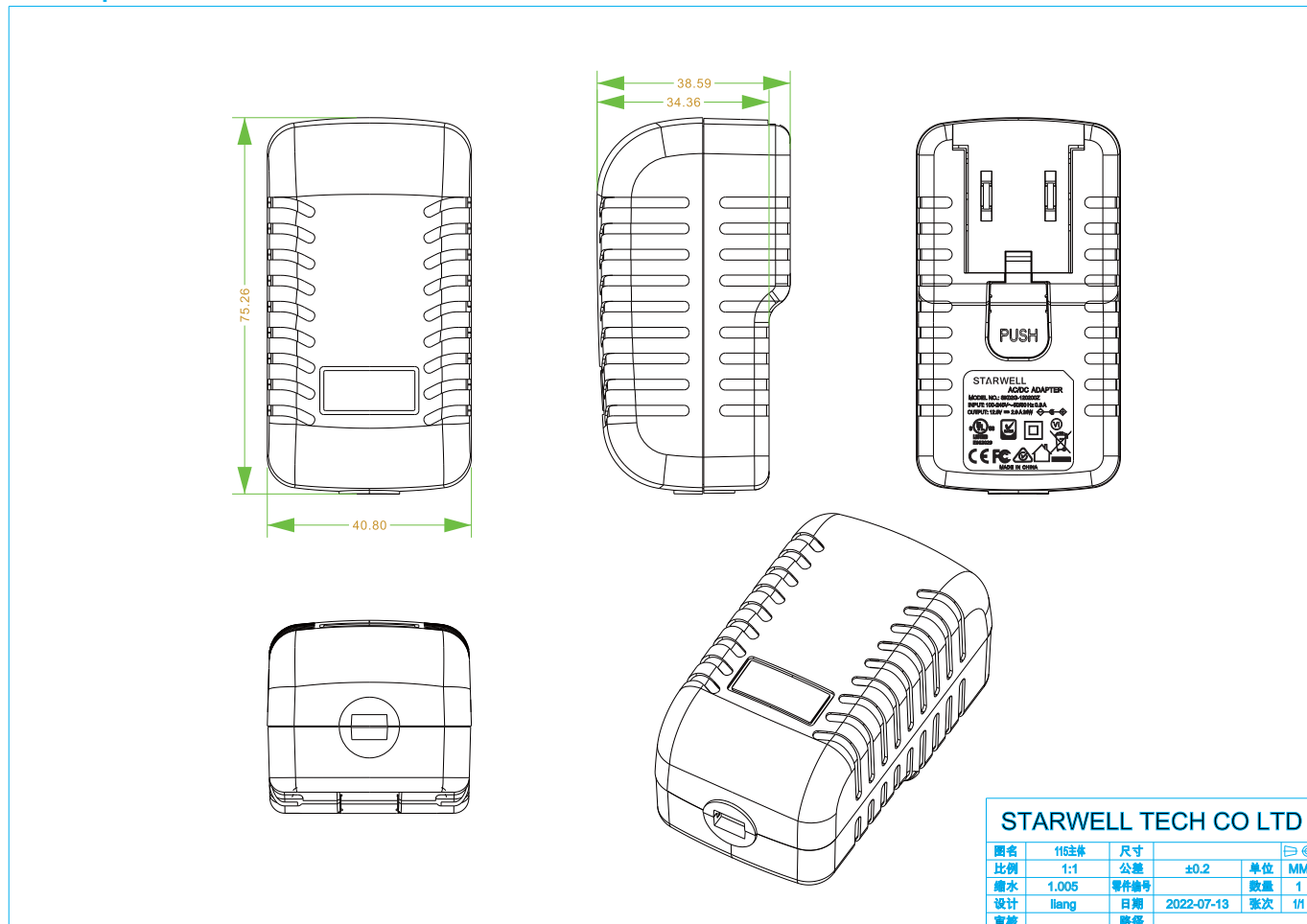
AUS PLUG



UK PLUG



Adapter Mechanical:



STARWELL TECH CO LTD				
图名	116注释	尺寸	公差	单位
比例	1:1		±0.2	MM
缩水	1.005	零件编号	数量	1
设计	llang	日期	2022-07-13	张次
审核		路径		1/1