

FEATURES:

- Input: AC 100-240V~ 50/60Hz
- Interchangeable plugs: US, EU, AU, UK, KR plug
- Power: 5W 12W 18W series
- Ovp, ocp, scp and Over load protection
- Ripple < 120mV
- Efficiency level: VI
- Dimension: 62*39.2*32mm(exclude plug)
- Output can be cable attached or USB A port



SAFETY:

SAFETY:	
Safety Standard	UL 62368, IEC 62368, EN 61558, IEC60601, IEC60335
Safety Approval	UL/cUL, CE, FCC, UKCA, PSE, CB, SAA, KC, TUV
EMC Standard	EMC EMISSION: EN55032 class B (CISPR32), EN61000-3-2,-3, EAC TP TC 020 EMC IMMUNITY: EN61000-4-2,3,4,5,6,8,11, EN55024; light industry level, criteria A, EAC TP TC 020
MTBF	50K hrs min. MIL-HDBK-217F (25°C)

MODEL LIST:

12W UNIVERSAL SERIES

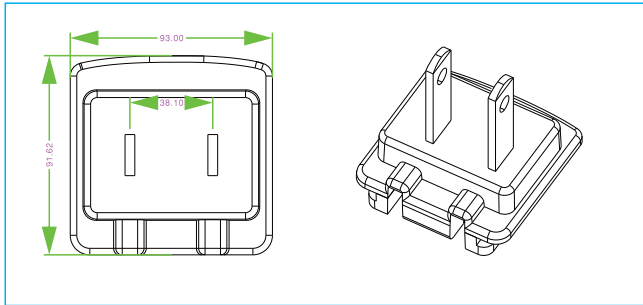
MODEL	INPUT VOLTAGE	POWER	OUTPUT VOLTAGE	OUTPUT CURRENT	PLUG TYPE
SK02G-050100Z	100-240VAC	5W	5V	1.0A	US,EU,AU,UK
SK02G-050200Z	100-240VAC	10W	5V	2.0A	US,EU,AU,UK
SK02G-050240Z	100-240VAC	12W	5V	2.4A	US,EU,AU,UK
SK02G-120100Z	100-240VAC	12W	12V	1.0A	US,EU,AU,UK
SK02G-150080Z	100-240VAC	12W	15V	0.8A	US,EU,AU,UK
SK02G-240050Z	100-240VAC	12W	24V	0.5A	US,EU,AU,UK

18W UNIVERSAL SERIES

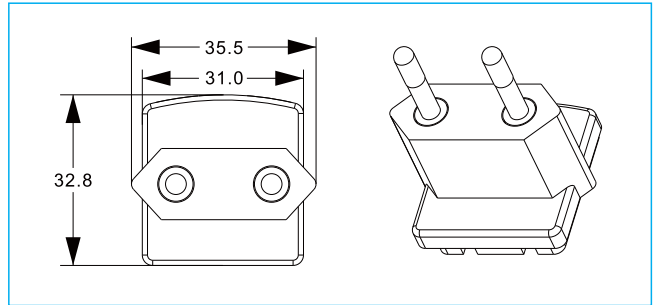
MODEL	INPUT VOLTAGE	POWER	OUTPUT VOLTAGE	OUTPUT CURRENT	PLUG TYPE
SK02G-050300Z	100-240VAC	15W	5V	3.0A	US,EU,AU,UK
SK02G-090200Z	100-240VAC	18W	9V	2.0A	US,EU,AU,UK
SK02G-120150Z	100-240VAC	18W	12V	1.5A	US,EU,AU,UK
SK02G-150120Z	100-240VAC	18W	15V	1.2A	US,EU,AU,UK
SK02G-240075Z	100-240VAC	18W	24V	0.75A	US,EU,AU,UK

Mechanical Diagram

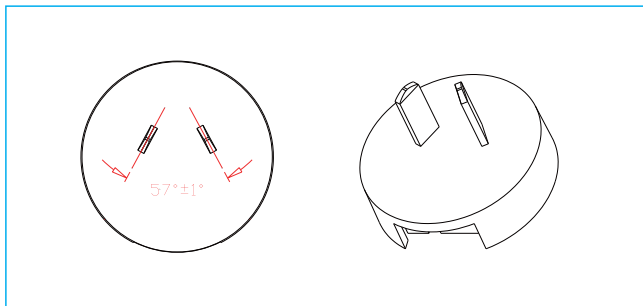
US PLUG



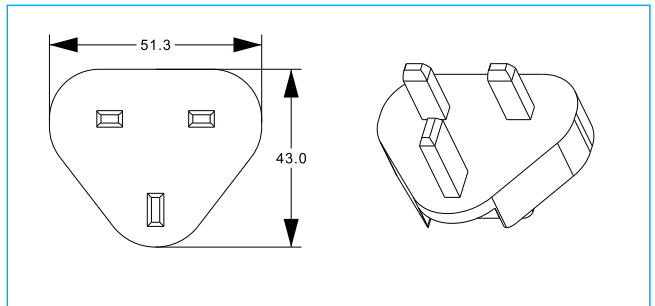
EU PLUG



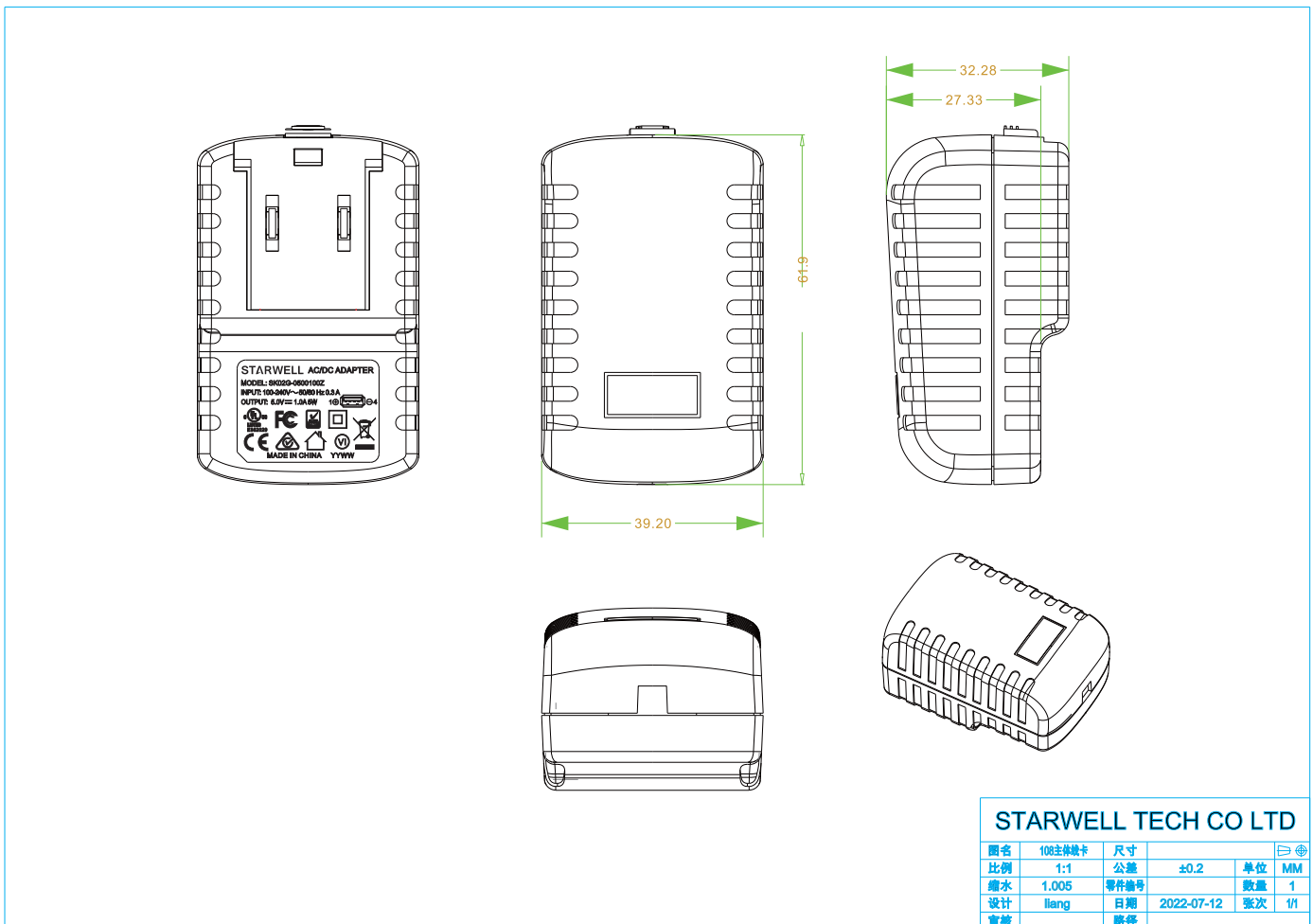
AUS PLUG



UK PLUG



Adapter Mechanical:



STARWELL TECH CO LTD

图名	108主体线卡	尺寸	公差	单位
比例	1:1		±0.2	MM
缩水	1.005	零件编号		数量 1
设计	liang	日期	2022-07-12	张次 1/1
审核		路径		