

PE389



### Features:

- 0-10V / 1-10V two signal output functions, smooth and delicate dimming
- Metal knob brightness adjustment
- Support infrared remote control dimming on / off to quickly switch brightness
- There are 3 custom scenarios for remote control
- Active control signal, suitable for active and passive dimming power supply
- Glass panel, metal knob, strong texture
- Super dimming compatibility
- Slow on and slow off function
- Dimming range 0-100%
- Overheating protection function
- 5-year warranty

CE

RoHS

### General description:

PE389 dimmer is a 0-10V / 1-10V two-way signal controlled dimmer developed by our company. One knob can achieve the on-off and dimming functions. At the same time, it also supports the control function of infrared remote controller, smooth dimming, and can set the minimum brightness.

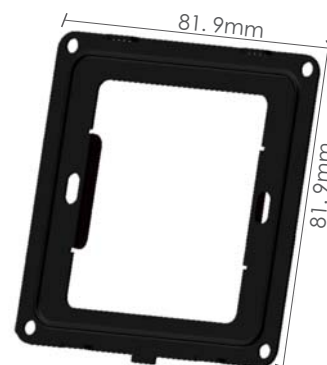
### Specification:

Model		PE389
OUTPUT	Out Voltage	0-10V/1-10Vdc
	Load Power	50mA Max
	Dimming function	0-10V/1-10V double singal
	Max control signal	50mA
INPUT	Input Voltage range	90-250Vac
	lut put power	<2W
	Frequency	50/60Hz
	control mode	knob dimming/ on and off
	remote control	IR remote control (remote range is less 15M)
ENVIRONMENT	Working Temperature	ta: 45°C tc: 85°C
	Woking Humidity	20 ~ 95%RH, non-condensing
	Storage temp.,Humidity	-40 ~ 80°C 10~95%RH
	Waterproof grade	IP20
PROTECTION	Over Load Protection	Use within the specified load range
	Short Circuit Protection	The output cannot be short circuited, otherwise the dimmer will be damaged and cannot be repaired
	Non-Load Protection	constant voltage output when non-load
OTHERS	Dimension	86×86mm(L×W)
	Packing	100×92×62mm(L×W×H)
	Weight (G.W.)	158±10g

### Dimension:



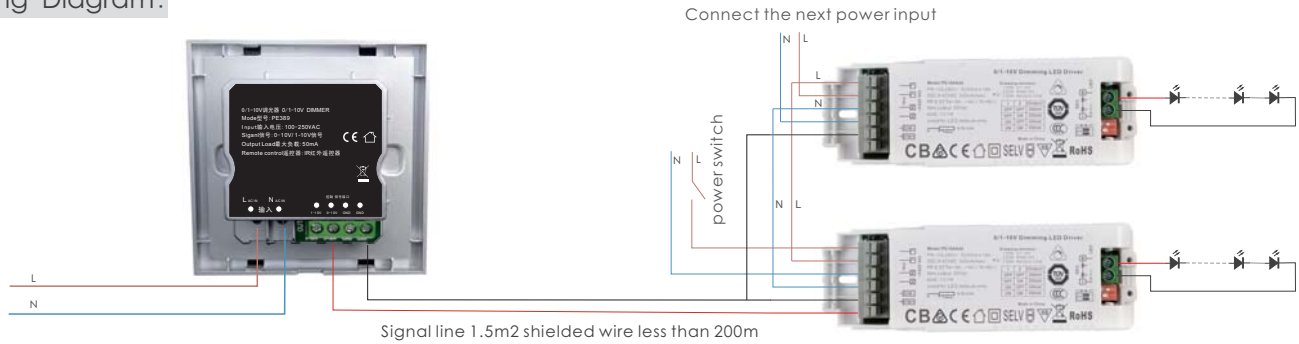
DIMMER



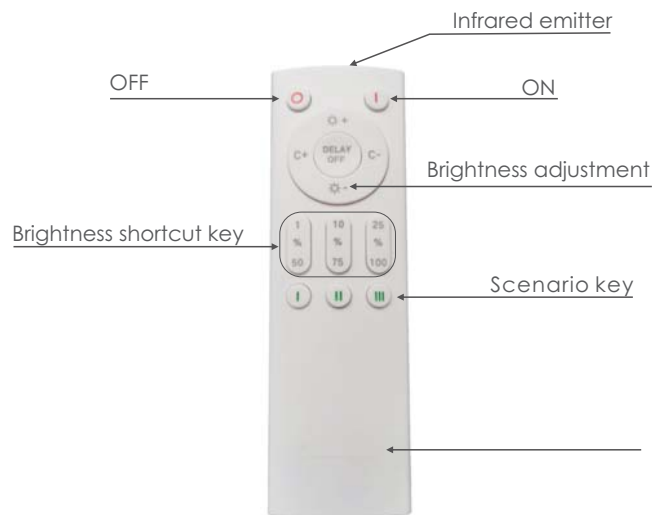
Fixed gusset plate



Infrared remote controller

**Wiring Diagram:****usage method:**

1. Press the knob switch function, and the red indicator will go out at this time, which is the startup state
2. When the dimmer is turned on, rotate it clockwise to increase the brightness, and in the reverse direction, it will be dimmed
3. When operating the remote control, it is necessary to align the window of the infrared receiving panel of the dimmer and control the maximum distance of 15m
4. The dimmer has two signal outputs, 0-10V and 1-10V, which are suitable for different dimming power supplies

**Installation:****The remote control usage method:****Custom scenario key brightness:**

press the scenario key for less than 3 seconds to call up the brightness of the corresponding scenario key.  
Press and hold the scenario key for more than 3 seconds, and the indicator light will be on for a long time,  
Remember the current brightness to the corresponding scene key.

**Instructions for use:**

1. When using this dimmer, please pay attention to distinguish the input end and output end, and power on only after checking that there is no error;
2. The length and thickness of the control signal will affect the number of control signal loads;
3. The input voltage range of the product is AC90-250V, and the operating ambient temperature is - 20 to + 45;
4. The output of the dimmer shall not be short circuited, otherwise the dimmer will be burned;
5. The output is 0-10V low-voltage signal, which needs to be divided into positive and negative poles. It is forbidden to access high-voltage power, otherwise the dimmer will be damaged and cannot be repaired;
6. The interior of the product is AC. please operate according to the specifications with a certificate. Disassembly is not for warranty;

The pictures and specifications is for reference only, in kind prevail, specifications are subject to change with further notice.