

PE386



特性:

- 前切调光, 调光平顺细腻
- 金属旋钮调亮度
- 支持红外遥控控制调光, 开关机, 快速切换亮度
- 遥控有3种自定义场景
- 超强兼容性
- 玻璃面板, 金属旋钮质感强
- 超强调光兼容性
- 缓亮缓灭功能
- 调光范围0-100%
- 最低亮度设定
- 5年质保

RoHS CE

产品描述:

PE386调光器是我公司开发的一款大功率可控硅调光器, 一个旋钮可以做到开关机, 调光功能, 同时也支持红外遥控器控制功能, 调光平顺, 可设定最低亮度等功能,

独特设计缓亮缓灭功能, 体验更舒适的灯光, 遥控快速切换亮度, 快捷亮度切换等功能。

技术参数:

型号		PE386
输出	输出电压范围	0-250Vac
	负载功率范围	3-500W
	调光方式	前沿切相调光
	最大控制功率	500W
输入	输入电压	200-250Vac
	输入功率	<2W
	频率范围	50/60Hz
	控制方式	旋钮调光/开关机
	支持遥控器	支持红外线遥控调光 (遥控距离15M内)
环境	工作温度	ta: 45°C tc: 85 °C
	工作湿度	20 ~ 95%RH, 无冷凝
	储存温度 湿度	-40 ~ 80°C 10~95%RH
	防水等级	不防水
保护	过载保护	在规定的负载范围内使用.
	短路保护	输出不可短路会损坏调光器, 不可修复
	空载保护	空载有电压输出.
其他	产品尺寸	86×86mm(L×W)
	包装尺寸	100×92×62mm(L×W×H)
	产品重量	158±10g

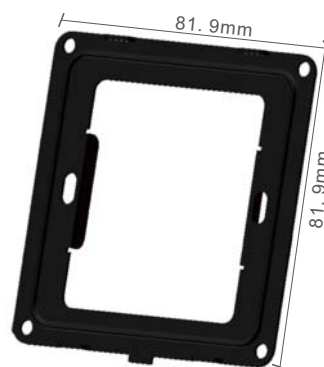
产品尺寸:



调光器主体

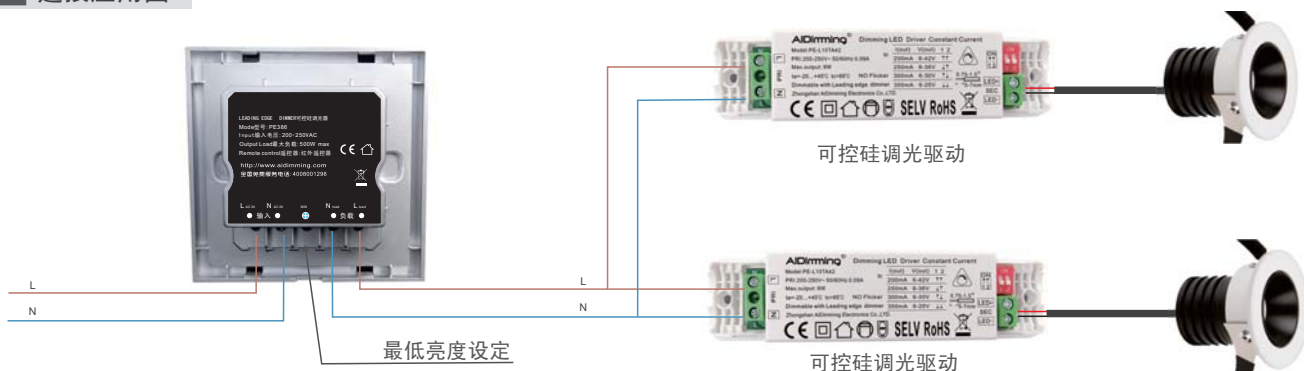


固定扣板



红外遥控器

连接应用图：



使用方法：

1. 旋钮开关功能, 此时红色指示灯会熄灭, 为开机状态.
2. 当调光器在开机状态, 顺时针旋转亮度增加, 反向则调暗.
3. 操作遥控器控制时, 需要对准调光器红外接收面板窗口, 控制最大距离15M.
4. 调光器可使用在前沿和后沿调光电源.

安装方法：



遥控器使用方法：



拆卸方法



自定义情景键亮度：单按情景键小于3秒，即可调出对应情景键的亮度。
 按住情景键超过3秒，指示灯长亮一下，
 记住当前的亮度到对应的情景键。

使用指导：

1. 在使用本调光器时，请注意区分输入端和输出端, 核对无误后才能通电；
2. 负载控制在调光器功率范围内；
3. 产品输入电压范围为AC200-250V, 使用环境温度是-20到+45摄氏度；
4. 调光器的输出禁止短路否则烧毁调光器, 不可维修；
5. 产品内部为交流电, 请持证按规范操作, 拆开不予保修；

声明：

图片与规格供参考，以实物为准，规格如有变化，另行通知。

PE389

Features:

- Front cut dimming, smooth and fine dimming
- Metal knob brightness adjustment
- Support infrared remote control dimming on / off to quickly switch brightness
- There are 3 custom scenarios for remote control
- Super compatibility
- Glass panel, metal knob, strong texture
- Super dimming compatibility
- Slow on and slow off function
- Dimming range 0-100%
- Minimum brightness setting
- 5-year warranty

CE
RoHS



General description:

PE386 dimmer is a high-power thyristor dimmer developed by our company. One knob can switch on and off and adjust the light. At the same time, it also supports the control function of infrared remote controller, smooth dimming and setting the minimum brightness. The unique design of slow lighting and slow extinguishing function can experience more comfortable lighting, remote control, fast brightness switching, fast brightness switching and other functions.

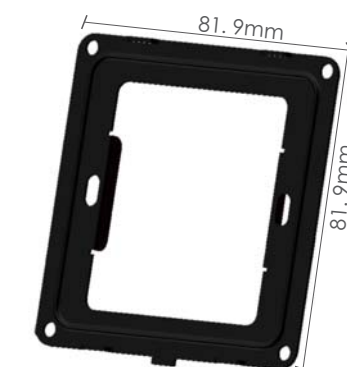
Specification:

Model		PE386
OUTPUT	Out Voltage	0-250Vac
	Load Power	3-500W Max
	Dimming function	leading edge dimmer
	Max control signal	500W
INPUT	Input Voltage range	200-250Vac
	Input power	<2W
	Frequency	50/60Hz
	control mode	knob dimming/ on and off
	remote control	IR remote control (remote range is less 15M)
ENVIRONMENT	Working Temperature	ta: 45°C tc: 85°C
	Working Humidity	20 ~ 95%RH, non-condensing
	Storage temp.,Humidity	-40 ~ 80°C 10~95%RH
	Waterproof grade	IP20
PROTECTION	Over Load Protection	Use within the specified load range
	Short Circuit Protection	The output cannot be short circuited, which will damage the dimmer and cannot be repaired
	Non-Load Protection	No load voltage output
OTHERS	Dimension	86×86mm(L×W)
	Packing	100×92×62mm(L×W×H)
	Weight (G.W.)	158±10g

Dimension:



DIMMER

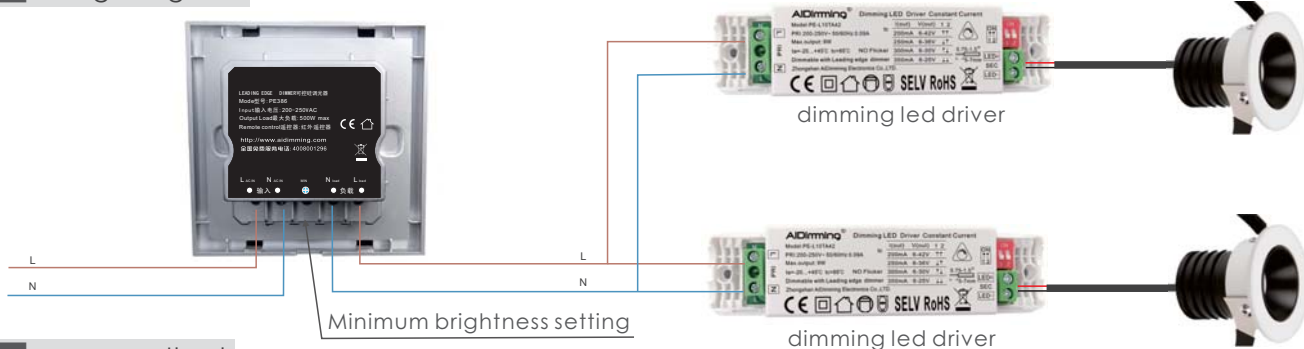


Fixed gusset plate



Infrared remote controller

Wiring Diagram:



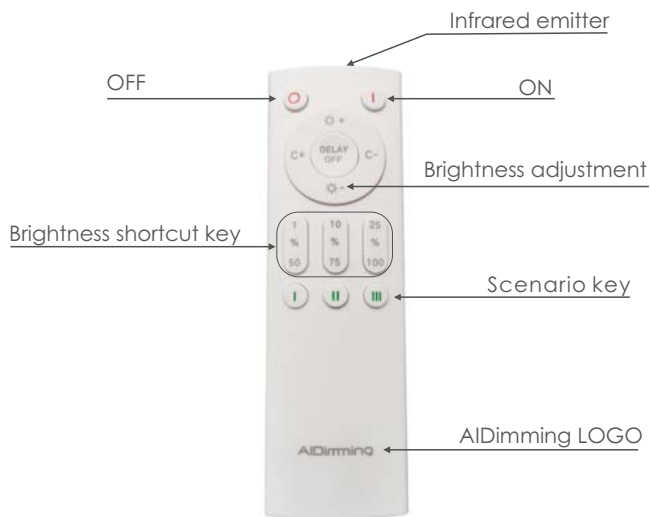
usage method:

1. Turn the knob on / off function. At this time, the red indicator light will go out and it is turned on
2. When the dimmer is turned on, rotate it clockwise to increase the brightness, and in the reverse direction, it will be dimmed
3. When operating the remote control, it is necessary to align the window of the infrared receiving panel of the dimmer and control the maximum distance of 15m
4. Dimmer can be used in front and back edge dimming power supply

Installation:



The remote control usage method:



Custom scenario key brightness:

press the scenario key for less than 3 seconds to call up the brightness of the corresponding scenario key. Press and hold the scenario key for more than 3 seconds, and the indicator light will be on for a long time, Remember the current brightness to the corresponding scene key.

Instructions for use:

1. When using this dimmer, please pay attention to distinguish the input end and output end, and power on only after checking that there is no error;
 2. The load is controlled within the power range of the dimmer;
 3. The input voltage range of the product is ac200-250v, and the operating ambient temperature is - 20 to + 45 ;
 4. The output of the dimmer shall not be short circuited, otherwise the dimmer will be burned and cannot be repaired;
 5. The interior of the product is AC. please operate according to the specifications with a certificate.
- Disassembly is not for warranty;

The pictures and specifications is for reference only, in kind prevail, specifications are subject to change with further notice.